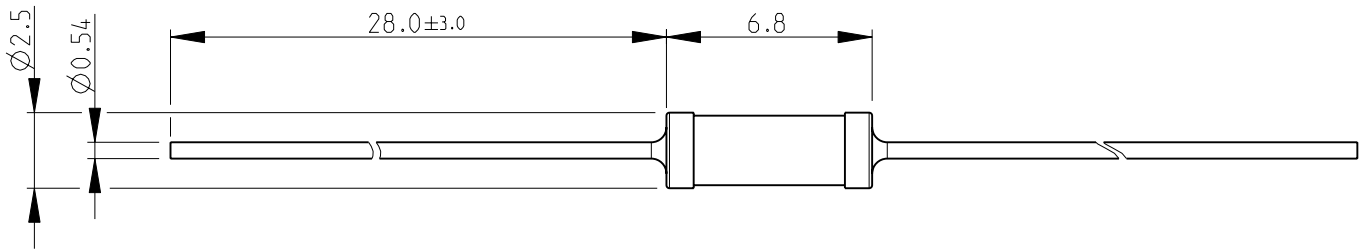
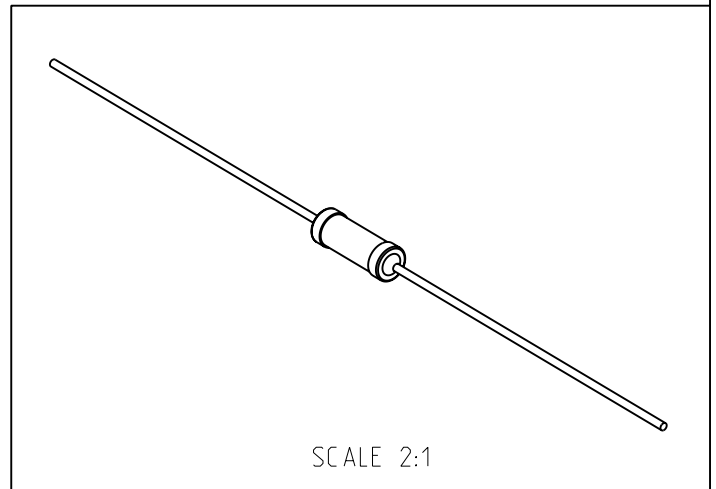


| | | | | | | | |
|-----|------|-----------|-----|-------------|-----------|-----|------|
| LOC | DIST | REVISIONS | | | | | |
| E | B | P | LTR | DESCRIPTION | DATE | DWN | APVD |
| | | | BA | NEW RELEASE | 20-Sep-08 | SM | St.P |

FOR FURTHER INFORMATION SEE DATA SHEET FOR
CFR SERIES-CARBON FILM FIXED RESISTORS



RoHS Compliant



SCALE 2:1

2008

RELEASED FOR PUBLICATION

THIS DRAWING IS UNPUBLISHED.

BY TYCO ELECTRONICS CORPORATION. ALL RIGHTS RESERVED.

© COPYRIGHT 2008

| | | | | | | |
|--|---------------|------------------|--|---|--------------|---------------|
| DIMENSIONS: mm | DWN | 20-Sep-08 | MATERIAL | - | FINISH | - |
| | CHK | 20-Sep-08 | Tyco Electronics Corporation Dorcan, Swindon, SN3 5HH | | | |
| TOLERANCES UNLESS OTHERWISE SPECIFIED: | APVD | 20-Sep-08 | | | | |
| | 0 PLC | ± 0.2 | NAME | CARBON FILM FIXED RESISTORS SERIES CFR25 | | |
| 1 PLC | ± 0.1 | PRODUCT SPEC | SIZE | CAGE CODE | DRAWING NO | RESTRICTED TO |
| 2 PLC | $\pm -$ | APPLICATION SPEC | A 4 | 00779 | ©- 1623931 | - |
| 3 PLC | $\pm -$ | WEIGHT | CUSTOMER DRAWING | | | |
| 4 PLC | $\pm -$ | | SCALE | 4:1 | SHEET 1 OF 1 | REV BA |
| ANGLES | $\pm 5^\circ$ | | | | | |